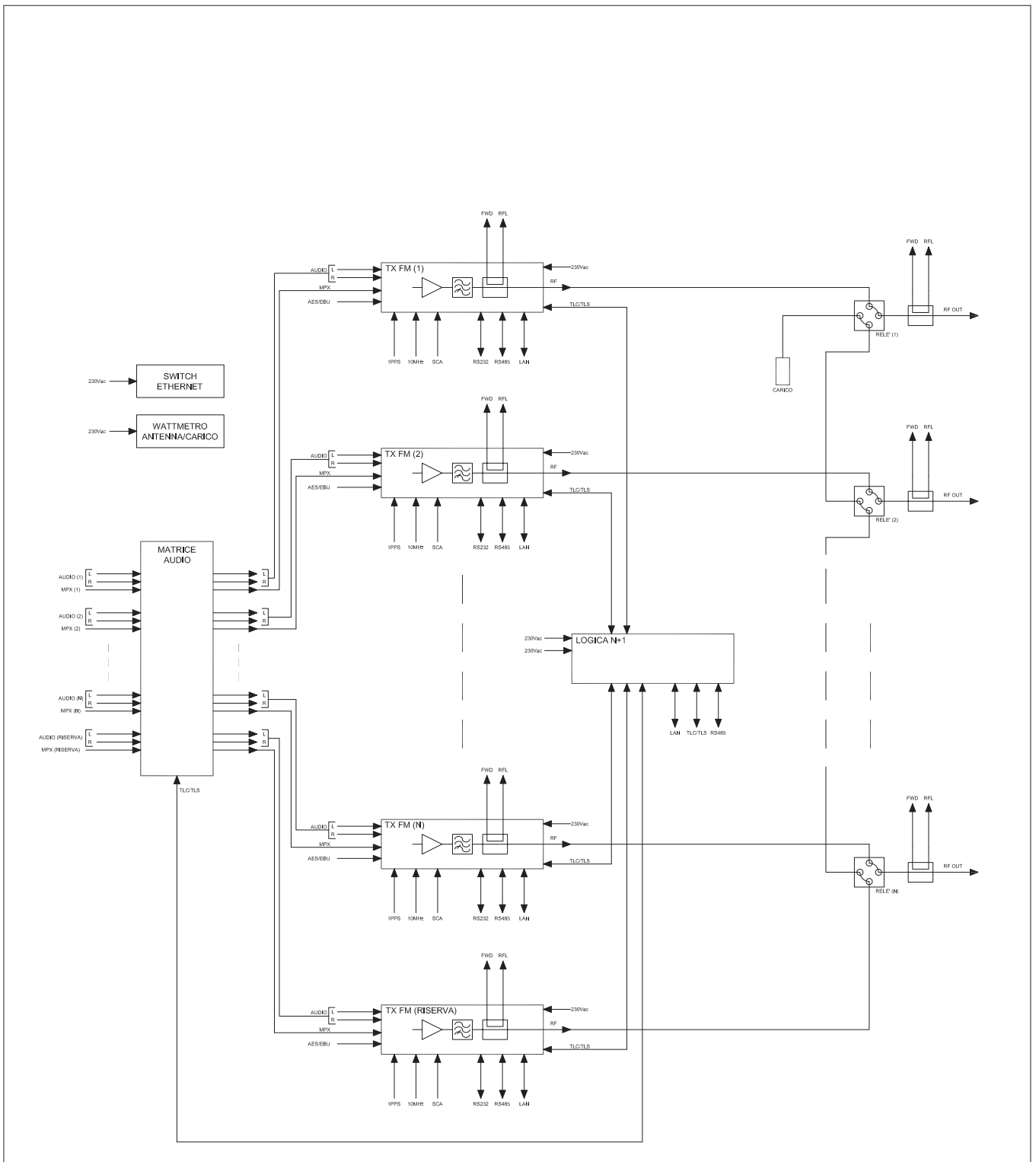


# WCU-6+1 and MTX-AUD-6+1 N+1 Fully Web and SNMP WEB Control Unit System



- Touch Screen Control Logic
- Configurable from 2+1 up to 6+1 and 1+1
- 6 different priority levels.
- Local or remote operation
- Automatic or manual operation.
- All switching parameters and timings are configurable
- It can control Transmitters of any brands and models
- Front panel with high definition Color Touch Screen display, for an immediate and intuitive control of the overall system
- Direct access keys to control most important parameters.
- “RESTORE” button to bring the system at the default configuration
- Configurable Less than 1 seconds switching time.
- Remote control through standard parallel interface (TLC/TLS), IEE485/RS232, TCP/IP.
- Web server and SNMP protocol.
- Dry contact relays outputs
- Opto-isolated inputs
- Inputs and outputs powered by separate and electrically isolated power supply.
- Dual Redundant power supply

# 6+1 Block Diagram System



**STATUS** ACU SWITCH NORMAL TIME: 10:11:42  
NORMAL REMOTE

DL	TX 1	TX 2	TX 3	TX 4	TX R
	REM	REM	REM	REM	LOC
	98.1 M	99.1 M	100.4 M	101.5 M	0 M
	100 W	100 W	100 W	100 W	0 W

MAN AUTO RESTORE PARAMS LOGS

**STATUS** ACU SWITCH NORMAL TIME: 10:11:42  
NORMAL REMOTE

DL	TX 1	TX 2	TX 3	TX 4	TX R
	REM	REM	LOC	REM	LOC
	98.1 M	99.1 M	100.4 M	101.5 M	0 M
	100 W	100 W	100 W	100 W	0 W

MAN AUTO RESTORE PARAMS LOGS

**STATUS** ACU SWITCH NORMAL TIME: 10:11:42  
NORMAL REMOTE

DL	TX 1	TX 2	TX 3	TX 4	TX R
	REM	REM	LOC	REM	LOC
	98.1 M	99.1 M	100.4 M	101.5 M	0 M
	100 W	100 W	100 W	100 W	0 W

MAN AUTO RESTORE PARAMS LOGS

**STATUS** ACU SWITCH NORMAL TIME: 10:11:42  
NORMAL REMOTE

DL	TX 1	TX 2	TX 3	TX 4	TX R
	REM	REM	REM	LOC	REM
	98.1 M	99.1 M	100.4 M	101.5 M	101.5 M
	100 W	100 W	100 W	0 W	100 W

MAN AUTO RESTORE PARAMS LOGS

**TX 1 ON ANTENNA**

INFO	ALARMS
MODE	REMOTE
FORWARD POWER	107 W
REFLECTED POWER	0 W
FREQUENCY	103.3 MHz
AUDIO INPUT	MPX
RF TEMPERATURE	39 °C
	INTERLOCK
	LOW POWER
	TRIP LOCKOUT
	PLL UNLOCKED
	NO INPUT
	POWER AMP OVERHEAT

TX 1 COMMANDS

TX TO ANTENNA TX TO LOAD ON OFF RESET IP SAVE

**RETRY PARAMETERS**

AFTER TIME  AT THIS HOUR  NEVER

RETRY AT 00:00

SAVE

**TIMEOUTS PARAMETERS**

INPUT DELAY	10	⋮
FAILURE DELAY	10	⋮
WAIT TIMEOUT	15	⋮
RELAY DELAY	15	⋮
TEST DELAY	15	⋮

SAVE

**DATE PARAMETERS**

DATE 01/03/2018

TIME 12:24

NTP SERVER

SYNC SAVE

AUDIO MATRIX 6+1 MPX

